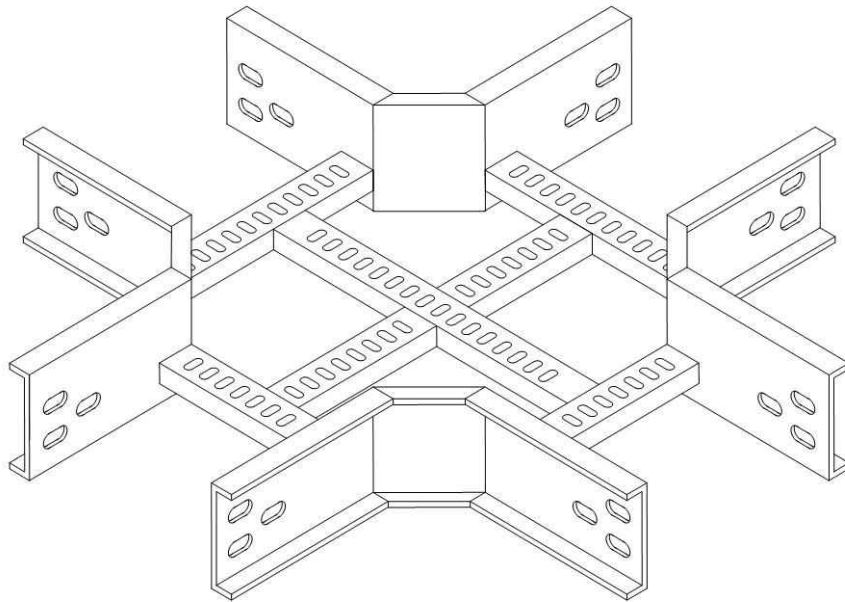


DYNAC SDN BHD

D-Line Cable Support Solutions



D-Line Cable Support Solutions

DYNAC SDN BHD

D-Line Cable Support Solutions

1st Edition - 2006

Dynac Sdn Bhd
Corporate Office
No 9 & 11, Jalan Bayu 7, Bandar Seri Alam, 81750 Masai Johor
Phone 607 – 386 1122 • Fax 607 – 386 3355

D-LINE CABLE SUPPORT SOLUTIONS

Quality Commitment

D Line cable tray solution's ~~are designed~~ philosophy is to generate the optimum solution for our customers by considering all relevant parameters such as Structural adequacy & Safety, Serviceability, Future needs, Delivery, Appearance, Cost quality, Practicality and Reliability

Dynac have established a quality management system to comply with requirement of ISO9001:2000 from SIRIM-QAS. The company policy is committed to supplying those products which will have the prerequisite quality to meet customer satisfaction. Dynac accepts full responsibility for the quality of products to ensure that our customers will receive the best products in terms of Design, Manufacture and On-time delivery.

		NO. PENDAFTARAN : <i>Registration No.:</i> AR 1773
SIJIL PENDAFTARAN SISTEM KUALITI <i>Quality System Registration Certificate</i>		
	SIRIM QAS International Sdn. Bhd. dengan ini mengesahkan bahawa <i>SIRIM QAS International Sdn. Bhd. hereby certifies that</i>	
	DYNAC SDN. BHD. NO. 9 & 11, JALAN BAYU 7 BANDAR SERI ALAM 81750 MASAI JOHOR DARUL TAKZIM MALAYSIA	
	telah melaksanakan Sistem Kualiti yang menepati <i>has implemented a Quality System complying with</i>	
	<i>MS ISO 9001:2000 Quality Management Systems - Requirements</i>	
	Skop Pendaftaran <i>Scope of Registration</i>	
	DESIGN, FABRICATION, INSTALLATION, TESTING AND COMMISSIONING OF HEATING, VENTILATION AND AIR-CONDITIONING (HVAC) SYSTEMS.	
	 Hj. Ab. Razak bin Salim Pengerah Eksekutif <i>Executive Director</i> SIRIM QAS International Sdn. Bhd.	 Dato' Dr. Mohd. Ariffin bin Hj. Aton Pengerusi <i>Chairman</i> SIRIM QAS International Sdn. Bhd.
	Tarikh Mula Persijilan : 03 September 1999 <i>Original Certification Date :</i>	
	Tarikh Dikeluarkan : 16 January 2006 <i>Issue Date :</i>	
	Sah Sehingga : 02 September 2008 <i>Expiry Date :</i>	No. Siri : 0205 <i>Serial No.:</i>
<small> SIRIM QAS International Sdn. Bhd. (No. Syarikat: 410324-X) 1, Perumahan Dato' Menteri Seksyen 2, Peti Surat 7035 43911 Bandar Seri Alam Selangor Darul Ehsan MALAYSIA Tel : 60-3-5544 6100 Fax : 60-3-5510 9139 http://www.sirim-qas.com.my http://www.malaysiancertified.com.my </small>	<small> Penganugerahan Sijil ini tertakluk kepada peraturan-peraturan dan syarat-syarat Skim Pendaftaran Sistem Kualiti seperti tertera dalam Perjanjian Pendaftaran Sistem Kualiti. This Certificate is granted subject to the terms and conditions governing the grant of a Certificate of Registration of Quality System as stated in the Quality System Certification Agreement. </small>	<small> QMS/FOR04 - 4A Issue No. & Rev. 1 </small>

D-LINE CABLE SUPPORT SOLUTIONS

Technical Information

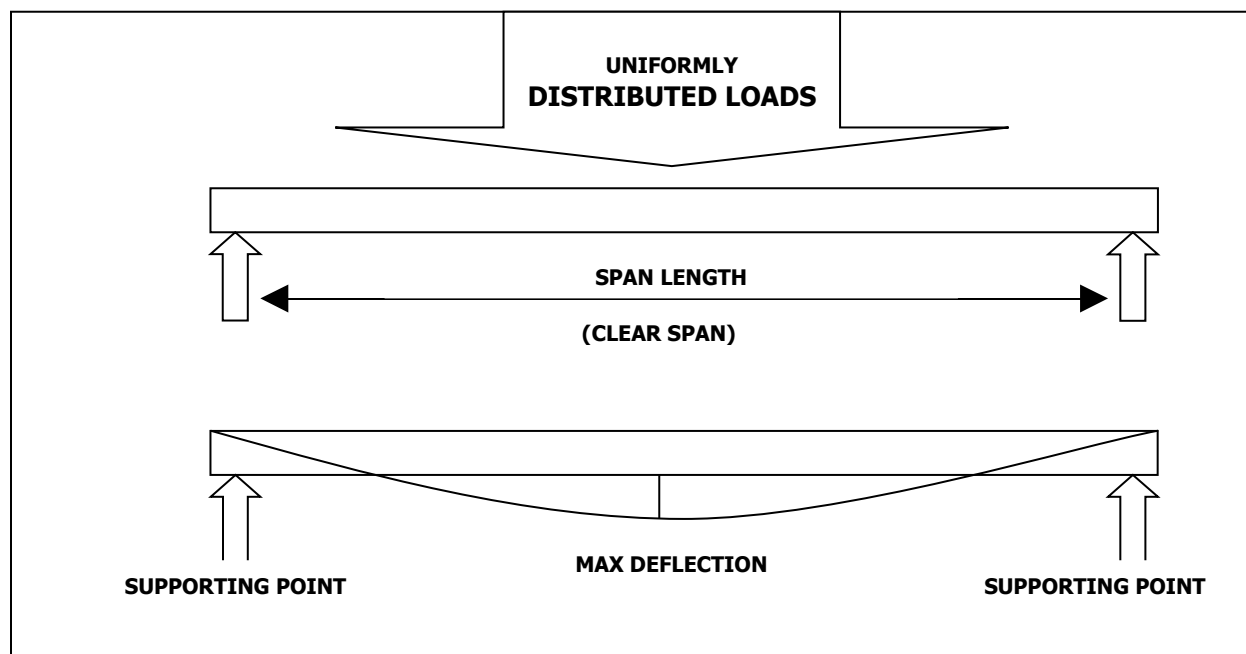
This catalogue contains our standard program of Cable Tray, Cable Ladder, Support Solutions made of high quality materials: Hot/Cold Roll Mild Steel Sheet (with all accessories in Hot Dip Galvanised after fabrication according to International Standards), Stainless Steel and Galvanised Steel Sheet.

General Information

1. Almost all articles can be manufactured in other dimensions.
2. All perforated cable tray made of steel sheet can be manufactured without perforation on request.
3. On request we can manufacture:
 - a) Material can be made of Galvanised Steel Sheet, Electro Galvanised Steel Sheet, Stainless steel ANSI Type 304 or 316.
 - b) Painting can be coated by Powder System and stove enamel with primer paint
 - c) Cable tray length up to 3m

Loading

D-Line cable tray, was designed the allowable load is the load in the case where the deflection in the longitudinal direction reaches $1/300$ the interval between supporting pointer the deflection in lateral direction reaches $1/50$ of width is less.



When correctly mounted and secured, cable ladder can be assumed to be a 'continuous beam'. This implies that the ladder run is regularly supported and that its extremities are firmly anchored.

The load bearing capacity of a cable ladder is limited by the lesser of the maximum allowable stress induced in the side members and rungs or the maximum deflection acceptable in the same members. The maximum

D-LINE CABLE SUPPORT SOLUTIONS

Technical Information

allowable stress is usually limited to two-thirds of the materials lower yield stress. This gives a safety factor of 2 against the ultimate tensile strength.

Maximum deflection, (in absence of a particular customer need) is not allowed to exceed 1/360ths of the distance between supports (span).

NEMA VE-1: Load/span class designation

WORKING LOAD Lbs./ft. (kg/m)	SUPPORT SPAN FEET (M)	CLASS DESIGNATION PER 3.1
50 (74.4)	8 (2.44)	8A
75 (111.6)	8 (2.44)	8B
100 (148.8)	8 (2.44)	8C
50 (74.4)	12 (3.66)	12A
75 (111.6)	12 (3.66)	12B
100 (148.8)	12 (3.66)	12C
50 (74.4)	16 (4.87)	16A
75 (111.6)	16 (4.87)	16B
100 (148.8)	16 (4.87)	16C
50 (74.4)	20 (6.09)	20A
75 (111.6)	20 (6.09)	20B
100 (148.8)	20 (6.09)	20C

D-LINE Cable Tray meets or exceeds the NEMA Span/Load designation.

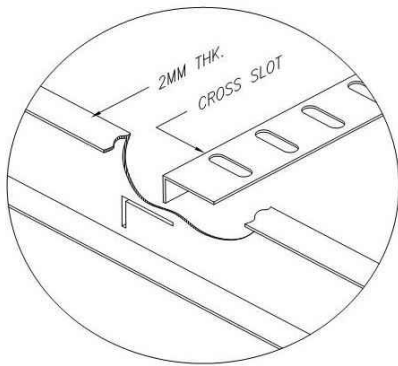
SIDE RAIL HEIGHT	8A	8B	8C	12A	12B	12C	16A	16B	16C	20A	20B	20C
100 MM	101	101	101	101								
	102	102	102	102	102	102	102					
	103	103	103	103	103	103	103	103	*	103	*	
120 MM	121	121	121	121	121	121	121	122				
	122	122	122	122	122	122	122					
	123	123	123	123	123	123	123	123	*	123	*	
150 MM	151	151	151	151	151	151	151					
	152	152	152	152	152	152	152	152		152		
	153	153	153	153	153	153	153	153	153	153	153	*

D-LINE CABLE SUPPORT SOLUTIONS

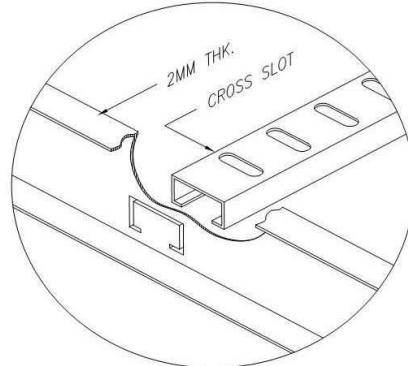
Technical Information

D-Line Ladder System

D-Line Ladder Systems have two "L" or "C" shaped longitudinal outward facing side members, the height of which is variable depending on the type. These are connected by individual transverse members (rungs) which pass through regularly spaced slots in the side members and are then welded from the outside. This ensures that the load on the rungs is transmitted to the main structural side members of the ladder and is not solely taken by a single flange or relying on the integrity of the welds. This method of production leaves no corrosion traps and provides clean access for zinc penetration during the galvanizing process.



L-Shape Slots for width of 150mm to 450mm



C-Shape slots for width of up to 900mm

The side members can be turned inwards to reduce the overall width, should this be a requirement.

The "J" section also allows a smooth surface on ladder accessories, allowing easier cable pulling, and in the case of the articulated riser, maximum flexibility, thus reducing unforeseen installation problems on site.

An articulated riser can be used as an inside or outside riser, an offset, an 'S' bend, bridge an unplanned pipe or be simply adjusted to on-site requirements. Most of its components are common, irrespective of angle or radius. Normally supplied from stock, for site adjustment in particular, it is considerably less expensive than the equivalent fixed alternative.

Definition of Product Code

Products start with the DL abbreviation meaning D-Line Ladder and DC for D-Line Channel Type Tray followed by the number 4-6 denoting light to heavy duty type.

Section Code (Ladder)	Section Code (Tray)	Material/Finish
SL – Straight Ladder	ST – Straight Tray	SS304
FE – Flat Elbow	FB – Flat Bends	SS316
ET – Equal Tee	ETT – Equal Tee	G - Galvanised
UET – Unequal Tee	UETT – Unequal Tee	HDG – Mild Steel
IR – Inside/Outside Riser	IRT – Inside Risers	
C – Cross piece	ORT – Outside Risers	
RS – Straight Reducers	CT – Cross piece	
RR – Offset Reducers		

D-LINE CABLE SUPPORT SOLUTIONS

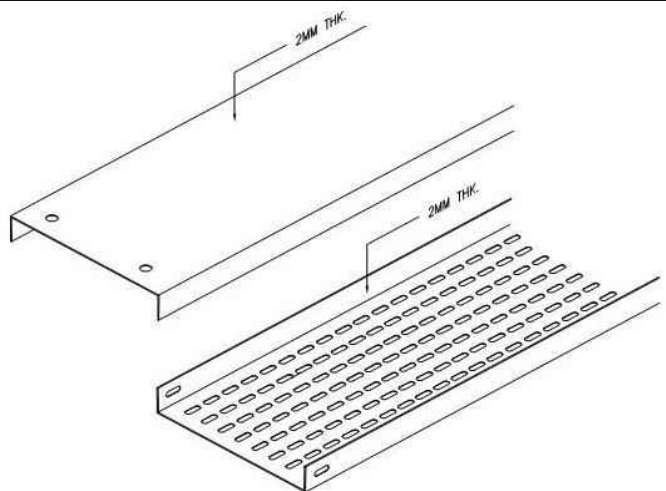
Technical Information

The following is brief description of the more common types of enclosures used by electrical industry.

NEMA	
Type 1	Enclosures are intended for indoor use primarily to provide a degree of protection against limited amounts of falling dirt.
Type 3	Enclosures are intended for outdoor use primarily to provide a degree of protection against rain, sleet, windblown dust and damage from external ice formation.
Type 3R	Enclosures are intended for outdoor use primarily to provide a degree of protection against rain, sleet and damage from external ice formation.
Type 4	Enclosures are intended for indoor or outdoor use primarily to provide a degree of protection against windblown dust and rain, splashing water, hose-directed water and damage from external ice formation.
Type 4X	Enclosures are intended for indoor or outdoor use primarily to provide a degree of protection against corrosion, windblown dust and rain, splashing water, hose-directed water and damage from external ice formation.
Type 12	Enclosures are intended for indoor use primarily to provide a degree of protection against circulating dust, falling dirt and dripping noncorrosive liquids.
Type 12K	Enclosures with knockouts are intended for indoor use primarily to provide a degree of protection against circulating dust, falling dirt and dripping non-corrosive liquids.
Type 13	Enclosures are intended for indoor use primarily to provide a degree of protection against dust, spraying of water, oil and non-corrosive coolant.

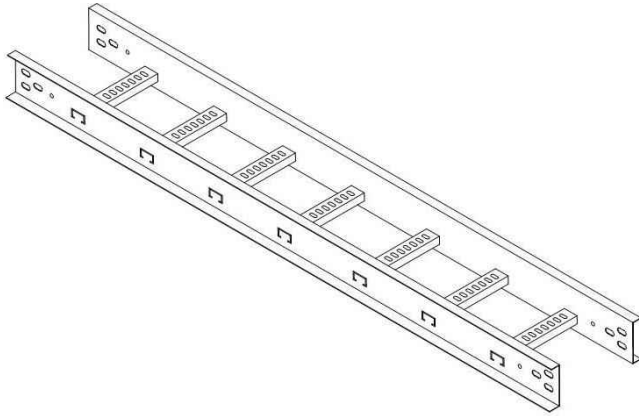
Channel Perforate Tray

D-Line Channel Perforated Tray is designed as an economical branch cable tray available in Galvanised Sheet Steel, Stainless Steel and with hot dip galvanized. The straights are ventilated with punching oval-holes in each row to ease for cable tie. Fitting sections as horizontal bend, vertical bend are also available.



D-LINE CABLE SUPPORT SOLUTIONS

Technical Information

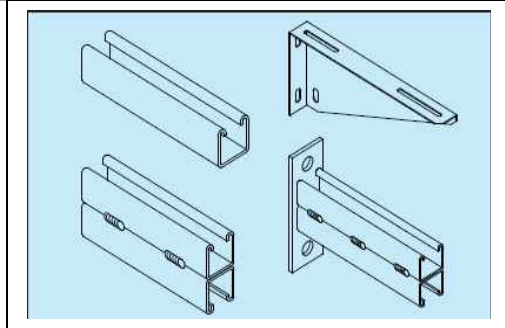


Ladder Tray

The 'J' shaped side rail and structural rungs are MIG weld to increase strength and withstand abuse. Slots at the outer side rails are for rung insertion and will welded from the outside. This ensures that the load on the rungs is transmitted to the main structural side members of the ladder and is not solely taken by a single flange or relying on the integrity of the welds

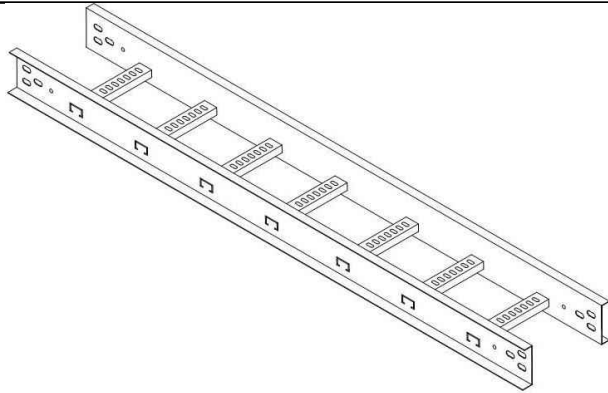
Support Systems

D-Line Channel is made by Hot Roll Mild Steel and surface treatment with Hot Dip Galvanized. Our Standard size is 6m with thickness of 2.6mm. The profile width and internal channel lips remain constant throughout the range, permitting the comprehensive selection of fittings and channel nuts to be used for all channels. D-Line Channels are designed to be compatible with all standard channels providing the connection between channels to form fully adjustable construction. Other accessories are also available upon request such as earth grounding kit, cantilever brackets, support channels, clamps, covers etc.



D-LINE CABLE SUPPORT SOLUTIONS

Cable Tray – Ladder Type



Straight Ladder

Width	Depth	Rung Spacing	Ref Code
150	127	300	DL / SL / 150
300	127	300	DL / SL / 300
450	127	300	DL / SL / 450
600	127	300	DL / SL / 600
750	127	300	DL / SL / 750
900	127	300	DL / SL / 900

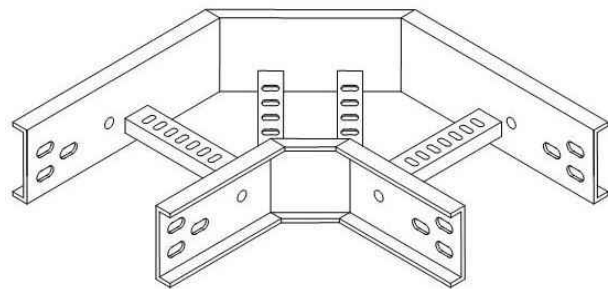
L – Type Slots are for width of up to 450mm

C – Type Slots are for width of up to 900mm

Rung widths 50mm

300mm centres (10 rungs per ladder)

Standard length 3 meters



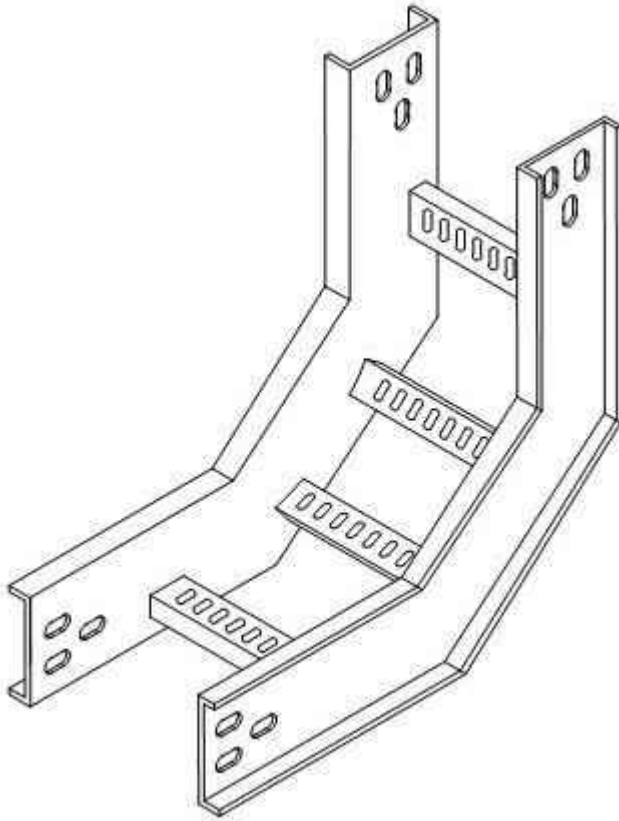
Flat Elbow

Width	Radius	Ref Code
150	450	DL/FE/XX/150/450
150	600	DL/FE/XX/150/600
300	300	DL/FE/XX/300/300
300	450	DL/FE/XX/300/450
300	600	DL/FE/XX/300/600
450	300	DL/FE/XX/450/300
450	450	DL/FE/XX/450/450
450	600	DL/FE/XX/450/600
600	300	DL/FE/XX/600/300
600	450	DL/FE/XX/600/450
600	600	DL/FE/XX/600/600
750	300	DL/FE/XX/750/300
750	450	DL/FE/XX/750/450
750	600	DL/FE/XX/750/600
900	300	DL/FE/XX/900/300
900	450	DL/FE/XX/900/450
900	600	DL/FE/XX/900/600

The catalogue references for all flat elbows are given by DL/FE followed by the angle, width, radius and finish. As per schedule above XX refers to the standard angle available 30, 45, 60 and 90

D-LINE CABLE SUPPORT SOLUTIONS

Cable Tray – Ladder Type



Risers Inside & Outside

Width	Radius	Ref Code
150	300	DL/IR/XX/150/300
150	450	DL/IR/XX/150/450
150	600	DL/IR/XX/150/600
150	750	DL/IR/XX/150/750
150	900	DL/IR/XX/150/900
300	300	DL/IR/XX/300/300
300	450	DL/IR/XX/300/450
300	600	DL/IR/XX/300/600
300	750	DL/IR/XX/300/750
300	900	DL/IR/XX/300/900
450	300	DL/IR/XX/450/300
450	450	DL/IR/XX/450/450
450	600	DL/IR/XX/450/600
450	750	DL/IR/XX/450/750
450	900	DL/IR/XX/450/900
600	300	DL/IR/XX/600/300
600	450	DL/IR/XX/600/450
600	600	DL/IR/XX/600/600
600	750	DL/IR/XX/600/750
600	900	DL/IR/XX/600/900
750	300	DL/IR/XX/750/300
750	450	DL/IR/XX/750/450
750	600	DL/IR/XX/750/600
750	750	DL/IR/XX/750/750
750	900	DL/IR/XX/750/900
900	300	DL/IR/XX/900/300
900	450	DL/IR/XX/900/450
900	600	DL/IR/XX/900/600
900	750	DL/IR/XX/900/750
900	900	DL/IR/XX/900/900

The catalogue references for all risers are given by DL/IR or DL/OR followed by the angle, width, radius and finish as detailed below:

For 30 degrees Riser use prefix DL/IR/30/...

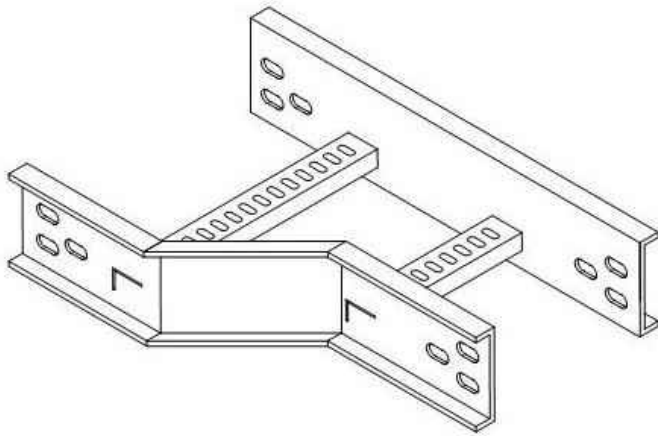
For 45 degrees Riser use prefix DL/IR/45/...

For 60 degrees Riser use prefix DL/IR/60/...

For 90 degrees Riser use prefix DL/IR/90/...

D-LINE CABLE SUPPORT SOLUTIONS

Cable Tray – Ladder Type

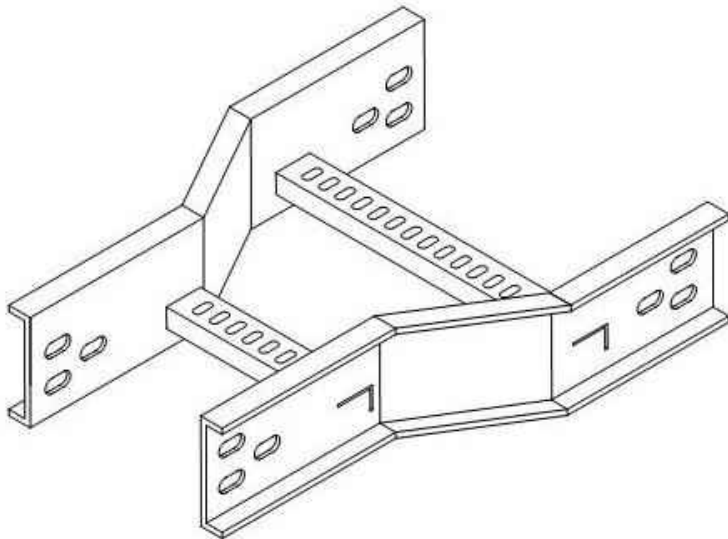


Overall Length – 500mm

Offset Reducers (Right/Left)

Width 1	Width 2	Ref Code
300	150	DL/RR/300/150
450	150	DL/RR/450/150
450	300	DL/RR/450/300
600	150	DL/RR/600/150
600	300	DL/RR/600/300
600	450	DL/RR/600/450
750	150	DL/RR/750/150
750	300	DL/RR/750/300
750	450	DL/RR/750/450
750	600	DL/RR/750/600
900	150	DL/RR/900/150
900	300	DL/RR/900/300
900	450	DL/RR/900/450
900	600	DL/RR/900/600
900	750	DL/RR/900/750

Right Hand shown. When ordering kindly specify RR for Right Hand and RL for Left Hand.



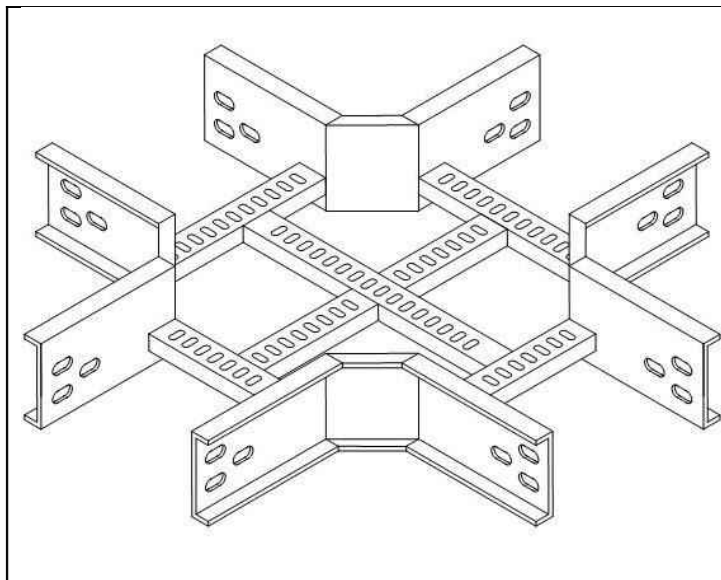
Overall Length – 500mm

Straight Reducers

Width 1	Width 2	Ref Code
300	150	DL/RS/300/150
450	150	DL/RS/450/150
450	300	DL/RS/450/300
600	150	DL/RS/600/150
600	300	DL/RS/600/300
600	450	DL/RS/600/450
750	150	DL/RS/750/150
750	300	DL/RS/750/300
750	450	DL/RS/750/450
750	600	DL/RS/750/600
900	150	DL/RS/900/150
900	300	DL/RS/900/300
900	450	DL/RS/900/450
900	600	DL/RS/900/600
900	750	DL/RS/900/750

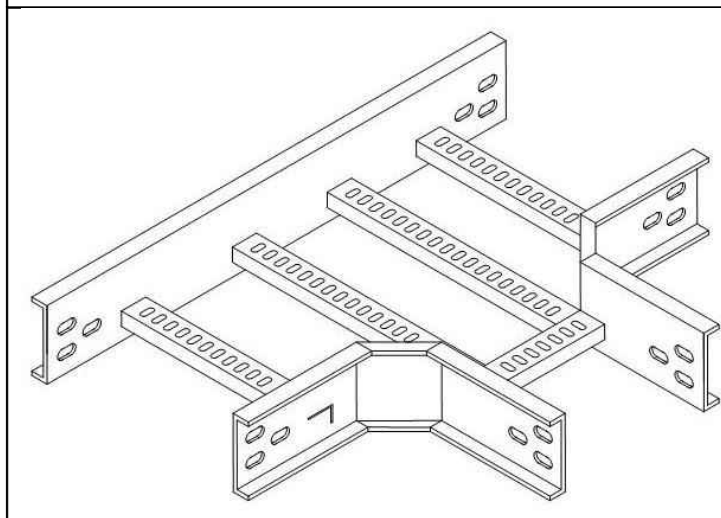
D-LINE CABLE SUPPORT SOLUTIONS

Cable Tray – Ladder Type



Straight Ladder

Width	Radius	Length	Ref Code
150	300	900	DL/C/150
300	300	1050	DL/C/300
450	450	1500	DL/C/450
600	450	1650	DL/C/600
750	450	1800	DL/C/750
900	450	1950	DL/C/900

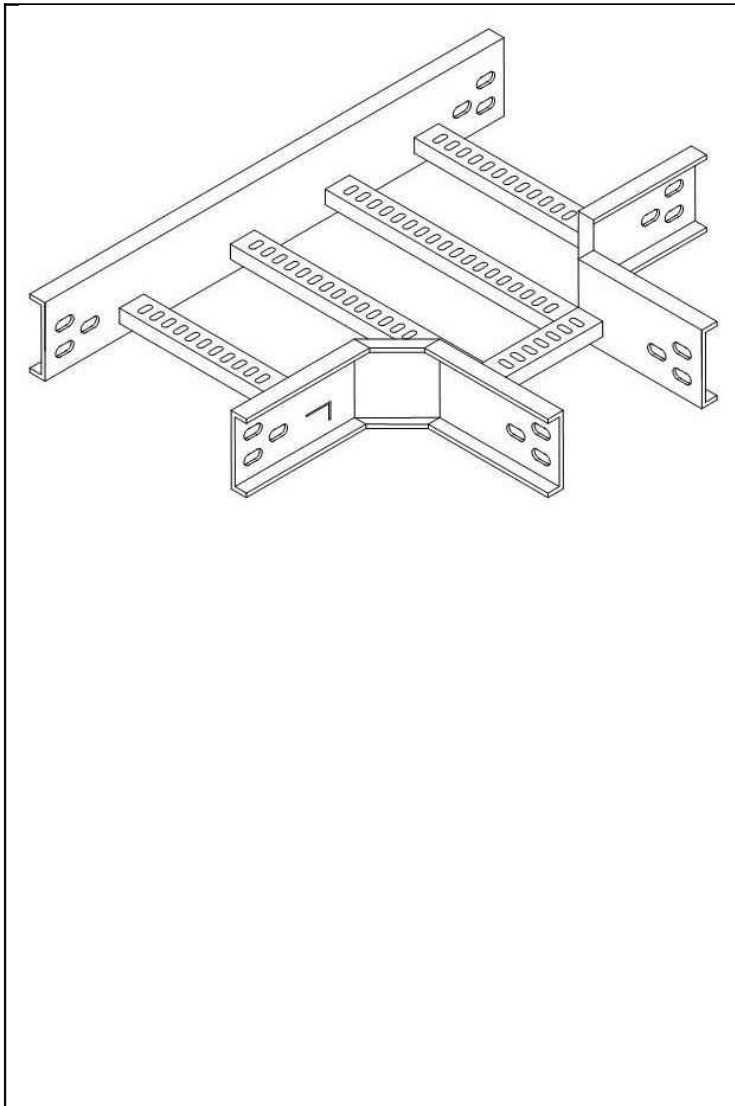


Tee Pieces/Equal

Width	Radius	Ref Code
150	300	DL/ET/150/...
300	300	DL/ET/300/...
450	450	DL/ET/450/...
600	450	DL/ET/600/...
750	450	DL/ET/750/...
900	450	DL/ET/900/...

D-LINE CABLE SUPPORT SOLUTIONS

Cable Tray – Ladder Type



Tee Pieces - Unequal

Width 1	Width 2	Ref Code
150	300	DL/UET/150/300/..
150	450	DL/UET/150/450/..
150	600	DL/UET/150/600/..
150	750	DL/UET/150/750/..
150	900	DL/UET/150/900/..
300	300	DL/UET/300/300/..
300	450	DL/UET/300/450/..
300	600	DL/UET/300/600/..
300	750	DL/UET/300/750/..
300	900	DL/UET/300/900/..
450	300	DL/UET/450/300/..
450	450	DL/UET/450/450/..
450	600	DL/UET/450/600/..
450	750	DL/UET/450/750/..
450	900	DL/UET/450/900/..
600	300	DL/UET/600/300/..
600	450	DL/UET/600/450/..
600	600	DL/UET/600/600/..
600	750	DL/UET/600/750/..
600	900	DL/UET/600/900/..
750	300	DL/UET/750/300/..
750	450	DL/UET/750/450/..
750	600	DL/UET/750/600/..
750	750	DL/UET/750/750/..
750	900	DL/UET/750/900/..
900	300	DL/UET/900/300/..
900	450	DL/UET/900/450/..
900	600	DL/UET/900/600/..
900	750	DL/UET/900/750/..
900	900	DL/UET/900/900/..

Coupling Sets

Each set consist of 1 fishplate, splined bolts, 6 nuts and 6 locking washers.

DT/CS/..

Section	No of Sets
Ladder	2 sets
Bend	2 sets
Riser	2 sets
Reducers	2 sets
T-Piece	4 sets
Cross Piece	6 sets

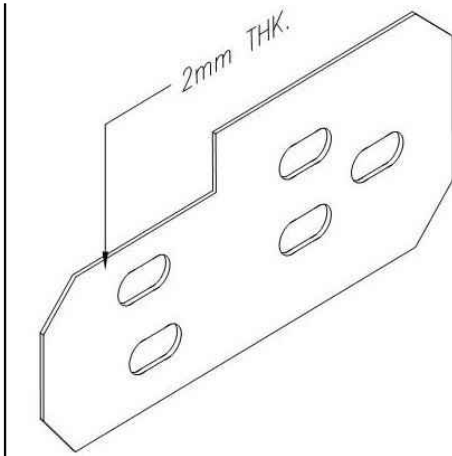
D-LINE CABLE SUPPORT SOLUTIONS

Cable Tray – Ladder Type

	<p>Horizontally flexible fishplate Each set consist of 1 horizontally adjustable fishplate, splined bolts, 6 nuts and 6 locking washers.</p> <p>DT/HF/..</p>
	<p>Vertical flexible fishplate Each set consist of 1 vertically adjustable fishplate, splined bolts, 6 nuts and 6 locking washers.</p> <p>DT/VF/..</p>
	<p>Angle Connector To combine two ladders runs at an angle of 90 degrees. Each set consist of 1 90 degree angle fish plate, splined bolts, 6 nuts and 6 locking washers.</p> <p>DT/AC/..</p>

D-LINE CABLE SUPPORT SOLUTIONS

Cable Tray – Ladder Type



Step Down Splice Plates

Step down splice plates are used to connect cable trays of different heights. Consist of 6 bolts, 6 nuts, 2 flat washers and 3 spring washers

LOADING TABLES

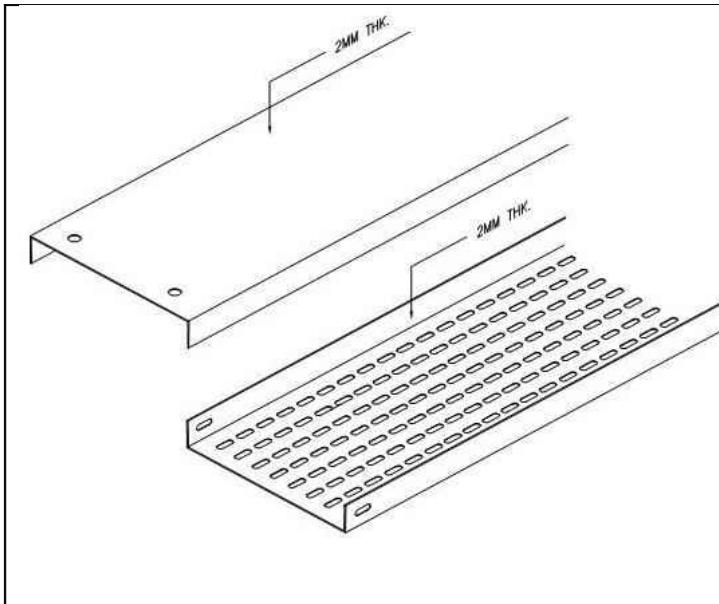
Full loading table and list of weights are published separately and are available on application.

D-LINE CABLE SUPPORT SOLUTIONS

Cable Tray – Channel Type

D-Line Channel cable tray is available in two types namely light duty C-Type and heavy duty returned flange. C-Type is designed as an economical branch cable tray available in Stainless steel and hot dipped galvanized. The straight are ventilated by punching oval holes in each row to ease for cable tie.

Return flange type of cable tray, also known as heavy duty tray has return flange that light duty tray do without and deeper side flanges, ensuing substantial strength and rigidity. Heavy duty tray is coupled by specially designed couplings, which combine high strength with very quick assembly. This type of cable tray can be used for supporting various heavy duty installations.



Straight Tray

Width	Thickness		Ref Code
	DT4	DT6	
75	1.0	1.5	DT/ST/75
102	1.0	1.5	DT/ST/102
152	1.0	1.5	DT/ST/152
229	1.2	1.5	DT/ST/229
305	1.5	1.5	DT/ST/305
457	1.5	2.0	DT/ST/457
610	2.0	2.0	DT/ST/610
750	n/a	2.0	DT/ST/750
900	n/a	2.0	DT/ST/900

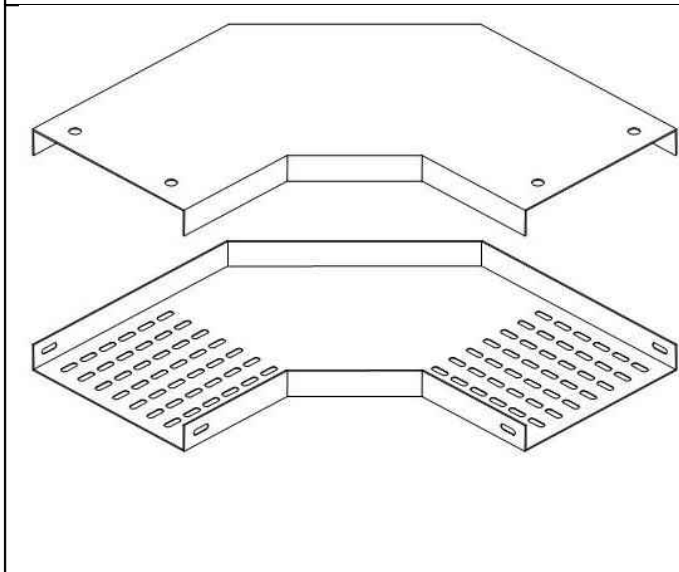
DT4 – Light Duty

DT6 – Heavy Duty with Return Flange

Standard Length is 2.44m or 8'

Flange height for DT4 range from 13mm-19mm

Flange height for DT6 range is 50mm standard



Flat Bend

Width	Thickness		Ref Code
	DT4	DT6	
75	1.0	1.5	DT/FB/75
102	1.0	1.5	DT/FB/102
152	1.0	1.5	DT/FB/152
229	1.2	1.5	DT/FB/229
305	1.5	1.5	DT/FB/305
457	1.5	2.0	DT/FB/457
610	2.0	2.0	DT/FB/610
750	n/a	2.0	DT/FB/750
900	n/a	2.0	DT/FB/900

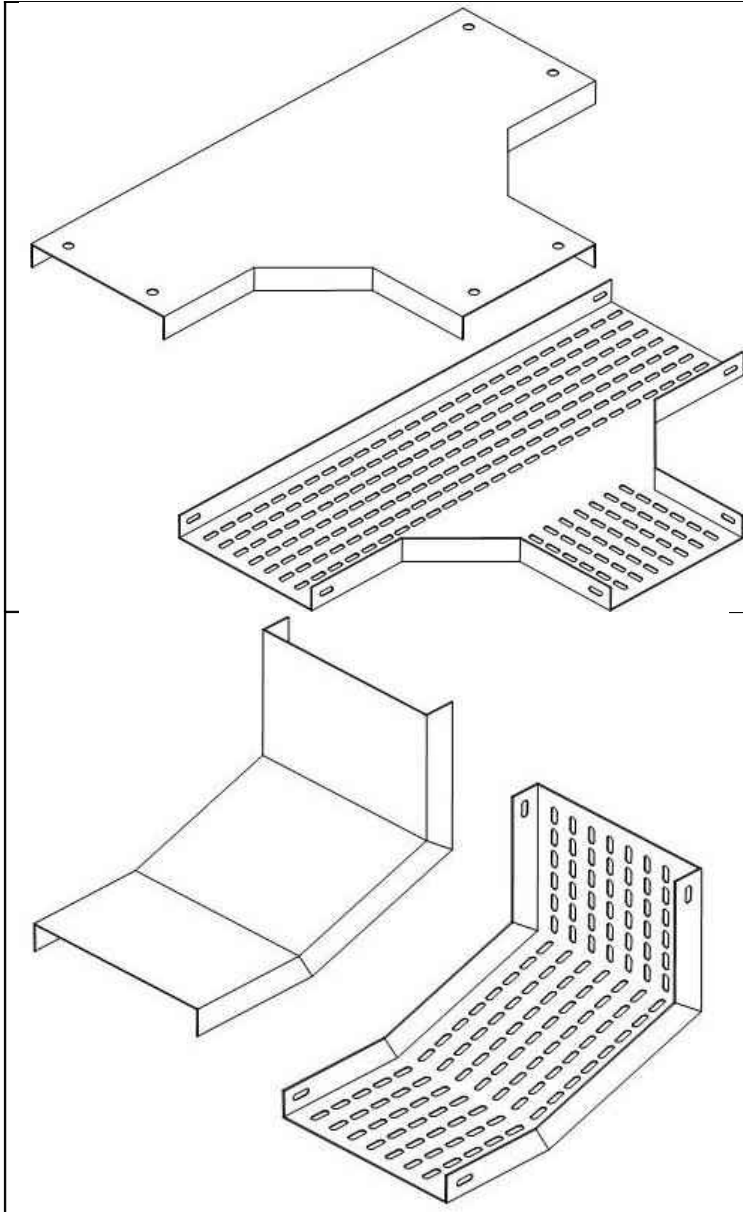
DT4 – Light Duty

DT6 – Heavy Duty with Return Flange

A smooth 90 degree bend which enables cables to be turned in a single plane

D-LINE CABLE SUPPORT SOLUTIONS

Cable Tray – Channel Type



Equal Tee

Width	Thickness		Ref Code
	DT4	DT6	
75	1.0	1.5	DT/ETT/75
102	1.0	1.5	DT/ETT/102
152	1.0	1.5	DT/ETT/152
229	1.2	1.5	DT/ETT/229
305	1.5	1.5	DT/ETT/305
457	1.5	2.0	DT/ETT/457
610	2.0	2.0	DT/ETT/610
750	n/a	2.0	DT/ETT/750
900	n/a	2.0	DT/ETT/900

DT4 – Light Duty

DT6 – Heavy Duty with Return Flange

For use where the main run of cable continues and one or more cables branch off at 90 degrees

Inside Risers

Width	Thickness		Ref Code
	DT4	DT6	
75	1.0	1.5	DT/IRT/75
102	1.0	1.5	DT/IRT/102
152	1.0	1.5	DT/IRT/152
229	1.2	1.5	DT/IRT/229
305	1.5	1.5	DT/IRT/305
457	1.5	2.0	DT/IRT/457
610	2.0	2.0	DT/IRT/610
750	n/a	2.0	DT/IRT/750
900	n/a	2.0	DT/IRT/900

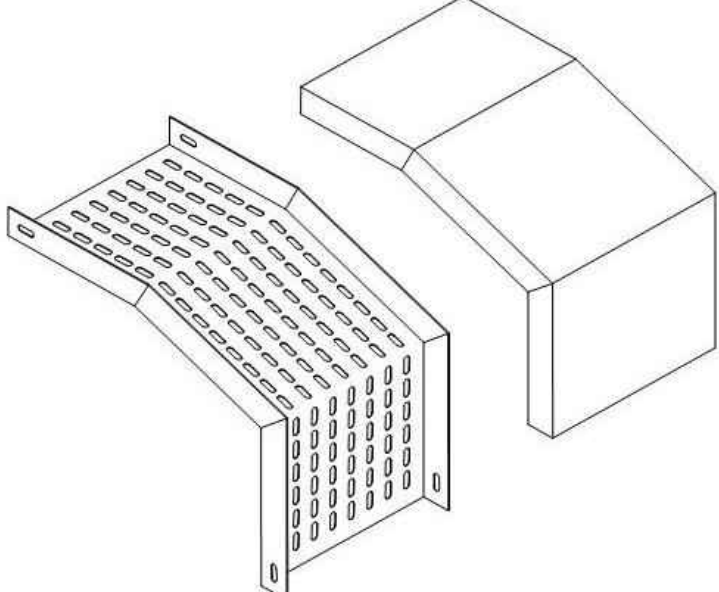
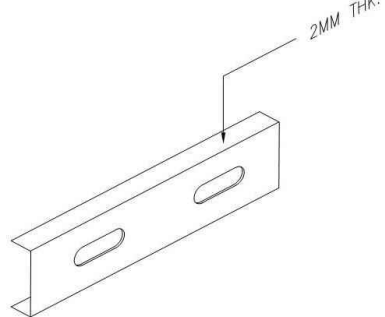
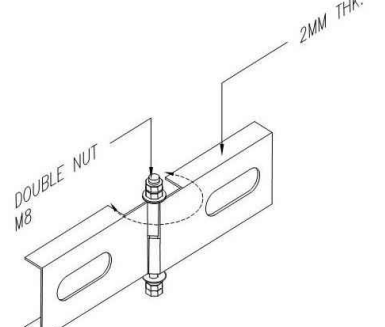
DT4 – Light Duty

DT6 – Heavy Duty with Return Flange

Cable are supported firmly on the inside of the tray as they rise through 90 degree

D-LINE CABLE SUPPORT SOLUTIONS

Cable Tray – Channel Type

	<p>Outside Risers</p> <table border="1"> <thead> <tr> <th rowspan="2">Width</th> <th colspan="2">Thickness</th> <th rowspan="2">Ref Code</th> </tr> <tr> <th>DT4</th> <th>DT6</th> </tr> </thead> <tbody> <tr> <td>75</td> <td>1.0</td> <td>1.5</td> <td>DT/ORT/75</td> </tr> <tr> <td>102</td> <td>1.0</td> <td>1.5</td> <td>DT/ORT/102</td> </tr> <tr> <td>152</td> <td>1.0</td> <td>1.5</td> <td>DT/ORT/152</td> </tr> <tr> <td>229</td> <td>1.2</td> <td>1.5</td> <td>DT/ORT/229</td> </tr> <tr> <td>305</td> <td>1.5</td> <td>1.5</td> <td>DT/ORT/305</td> </tr> <tr> <td>457</td> <td>1.5</td> <td>2.0</td> <td>DT/ORT/457</td> </tr> <tr> <td>610</td> <td>2.0</td> <td>2.0</td> <td>DT/ORT/610</td> </tr> <tr> <td>750</td> <td>n/a</td> <td>2.0</td> <td>DT/ORT/750</td> </tr> <tr> <td>900</td> <td>n/a</td> <td>2.0</td> <td>DT/ORT/900</td> </tr> </tbody> </table> <p>DT4 – Light Duty DT6 – Heavy Duty with Return Flange Cable are supported firmly on the outside of the tray as they change from the vertical to the horizontal plane</p>	Width	Thickness		Ref Code	DT4	DT6	75	1.0	1.5	DT/ORT/75	102	1.0	1.5	DT/ORT/102	152	1.0	1.5	DT/ORT/152	229	1.2	1.5	DT/ORT/229	305	1.5	1.5	DT/ORT/305	457	1.5	2.0	DT/ORT/457	610	2.0	2.0	DT/ORT/610	750	n/a	2.0	DT/ORT/750	900	n/a	2.0	DT/ORT/900
Width	Thickness		Ref Code																																								
	DT4	DT6																																									
75	1.0	1.5	DT/ORT/75																																								
102	1.0	1.5	DT/ORT/102																																								
152	1.0	1.5	DT/ORT/152																																								
229	1.2	1.5	DT/ORT/229																																								
305	1.5	1.5	DT/ORT/305																																								
457	1.5	2.0	DT/ORT/457																																								
610	2.0	2.0	DT/ORT/610																																								
750	n/a	2.0	DT/ORT/750																																								
900	n/a	2.0	DT/ORT/900																																								
	<p>Coupling Sets Designed to combine straight trays and other fittings.</p> <table border="1"> <thead> <tr> <th>DT/CS/.. Section</th> <th>No of Sets</th> </tr> </thead> <tbody> <tr> <td>Ladder</td> <td>2 sets</td> </tr> <tr> <td>Bend</td> <td>2 sets</td> </tr> <tr> <td>Riser</td> <td>2 sets</td> </tr> <tr> <td>T-Piece</td> <td>4 sets</td> </tr> <tr> <td>Cross Piece</td> <td>6 sets</td> </tr> </tbody> </table>	DT/CS/.. Section	No of Sets	Ladder	2 sets	Bend	2 sets	Riser	2 sets	T-Piece	4 sets	Cross Piece	6 sets																														
DT/CS/.. Section	No of Sets																																										
Ladder	2 sets																																										
Bend	2 sets																																										
Riser	2 sets																																										
T-Piece	4 sets																																										
Cross Piece	6 sets																																										
	<p>Flexible Tray Coupler Designed to combine straight trays and other fittings to suit flexible angle.</p> <p>DT/HF/..</p>																																										

LOADING TABLES

Full loading table and list of weights are published separately and are available on application.